



Fastwind 220 R



PARTS BOOK

www.umglobal.com



B01 = 空滤器 / AIR CLEANER ASSY / FILTRO DE AIRE

ITEM	UM Part #	Description	Spanish
1	B01020016	AIR FILTER ASSY	FILTRO DE AIRE
2	B01010015	FILTER ELEMENT	ELEMENTO DEL FILTRO DE AIRE
3	B01030014	TOOL SET STORAGE	PORTA KIT HERRAMIENTAS
4	B01030006	TOOL SET	KIT HERRAMIENTAS



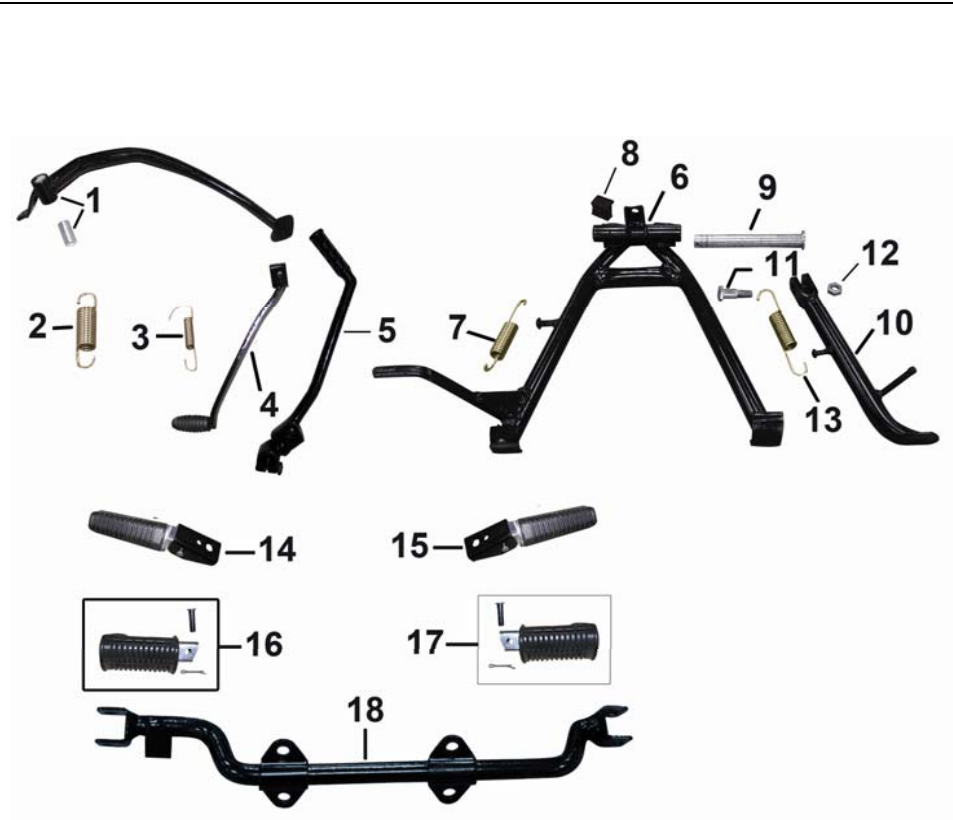
B02 = 电 器 件 / ELECTRIC SYSTEM / SISTEMA ELECTRICO

ITEM	UM Part #	Description	Spanish
1	B02050022	WIRE HARNESS ASSY	ARNES ELECTRICO
2	B02060006	COIL COMP.,IGNITION	BOBINA DE IGNICION
3	B02040005	C.D.I. UNIT	CDI
4	B02020008	FLASH UNIT	RELE DE DIRECCIONALES
5	B02030005	RECTIFIER COMP.,REGULATOR	RECTIFICADOR, REGULADOR
6	B02020009	DIODE	DIODO
7	B02020010	START RELAY	RELÉ DE ENCENDIDO
8	B02050007	WIRE "+"	CABLE POLO POSITIVO
9	B02090011	BATTERY SUPPORT,	BASE DE BATERIA
10	B02010013	BATTERY YUWASA 12V6Ah (MAINTENANCE-FREE)	BATERIA YUASA 12V6Ah (LIBRE MANT)
11	B02090012	BAND,BATTERY	CORREA DE AJUSTE BATERÍA
12	B02090010	HORN BRACKET	SOPORTE PITO
13	B02080005	BUGLE ASS'Y	PITO
14	B02090025	HOLDER, TOOLS BOX	PLATINA SOPORTE, CAJA HERRAMIENTAS



B03 = 挡泥板 / FENDERS / GUARDABARRO

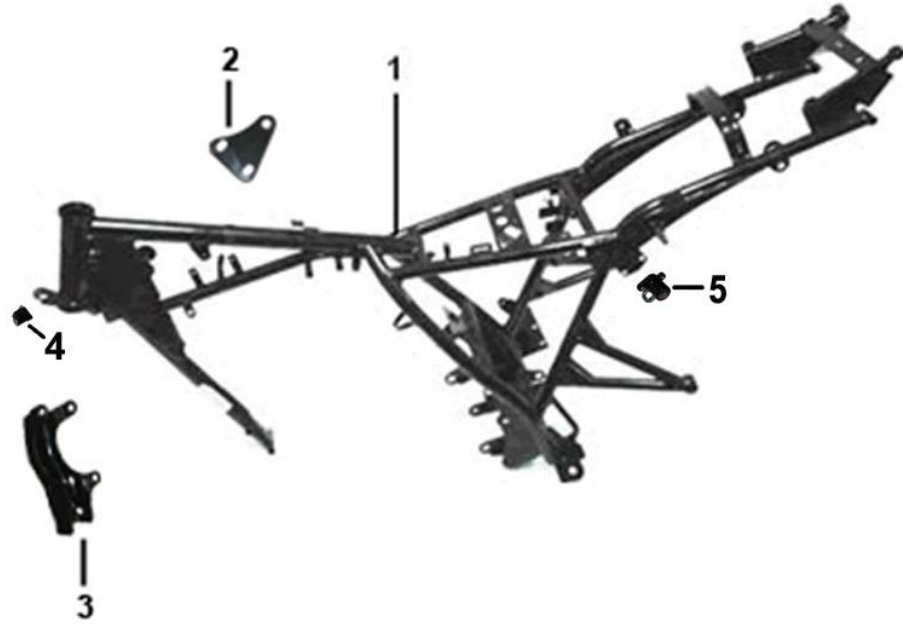
ITEM	UM Part #	Description	Spanish
1	B03010064	FRONT FENDER BLACK	CONJUNTO DE SALPICADERA DELANT NEGRO
1	B03010065	FRONT FENDER BASE COLOR	CONJUNTO DE SALPICADERA DELANT BASE
2	B03060045	FRONT FENDER BRACKET	BASE DE SALPICADERA
3	B03060011	CABLE GUIDING	GUIA DE CABLE
4	B03060046	TAIL LIGHT BASE	BASE CALAVERA
5	B03040016	REAR PART, RR,FENDER	PORTA PLACA PLASTICO
6	B03030011	FRONT PART, RR, FENDER	PARTE FRONTAL SALPICADERA TRAS



B04 = 脚踏、启动杆 & 变档杆 / FOOTREST & PEDALS / POSAPIE Y PEDALES			
ITEM	UM Part #	Description	Spanish
1	B04060023	PEDAL, REAR BRAKE	PEDAL DE FRENO
2	B04090094	SPRING, REAR BRAKE	RESORTE DE FRENO
3	B04090095	SWITCH SPRING ,REAR BRAKE	RESORTE INTERRUPTOR DE FRENO TRASERO
4	B04070012	GEARSHIFT PEDAL ASSY	PEDAL DE CAMBIOS
5	B04080016	ARM ASSY, KICK STARTER	PEDAL DE ARRANQUE COMPLETO
6	B04050029	CENTER STAND	SOPORTE CENTRAL
7	B04090032	SPRING, CENTER STAND	RESORTE, SOPORTE CENTRAL
8	B04090027	RUBBER CUSHION, CENTER STAND, (14mm)	CAUCHO ANTIVIBRANTE, SOPORTE CENTRAL(14mm)
9	B04050030	CENTER STAND AXIS	EJE SOPORTE CENTRAL
10	B04050031	SIDE STAND	PARADOR LATERAL
11	B04090030	BOLT M10X 1.5x 35	PERNO M10x1,5x35
12	B04090008	HEXAGON NUTS,STYLE 1 M10x1.5	TUERCA HEX M10x1.5
13	B04090032	SPRING, CENTER STAND	TORNILLO
14	B04030028	RIGHT REAR PEDAL ASSY	POSAPIE TRASERO DERECHO
15	B04030027	LEFT REAR PEDAL ASSY	POSAPIE TRASERO IZQUIERDO
16	B04020018	RIGHT FRONT PEDAL ASSY	POSAPIE DERECHO
17	B04020019	LEFT FRONT PEDAL ASSY	POSAPIE IZQUIERDO
18	B04020020	FRONT PEDAL BRACKET	BARRA DE POSAPIES

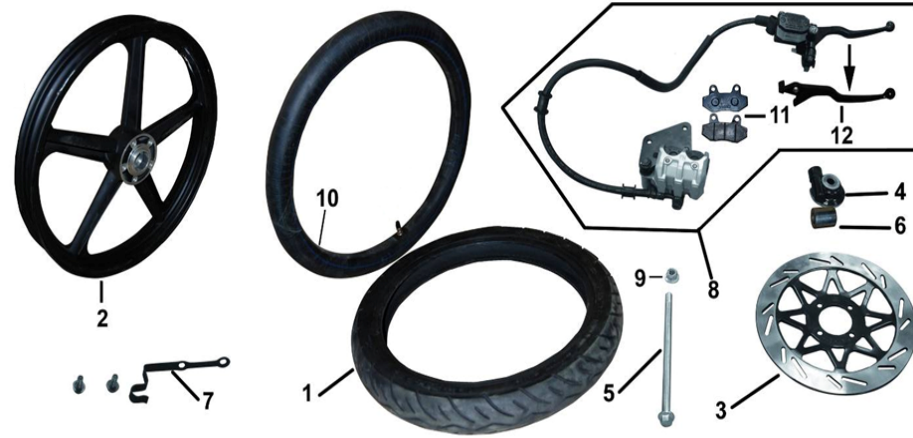
B05 = 车架, 安装板和支架 / FRAME, PLATE & BASE / CHASIS Y BASES

ITEM	UM Part #	Description	Spanish
1	B05010019	FRAME	CUADRO
2	B05020020	ENGINE PLANK (UP SIDE)	PLACA MOTOR SUPERIOR
3	B05020021	ENGINE PLANK (DOWN SIDE)	PLACA MOTOR SINFERIOR



B06 = 前轮 & 前刹车 / FRONT WHEEL & BRAKE ASSY / RUEDA DELANTERA Y FRENO DELANTERO

ITEM	UM Part #	Description	Spanish
1	B06010006	TYRE, FR WHEEL (ZHENGXIN BRAND) 2.75-18	LLANTA DELANTERA ZHENGXIN 2.75-18
2	B06030011	SPOKE ASSY 1.85x18	RIN DELANTERO 1.85x18
3	B06080046	DISC BRAKE PLATE 240mm	DISCO DE FRENO 240mm
4	B06090005	SENSOR, SPEEDER &=36mm	ARAÑA DE VELOCIMETRO &=36mm
5	B06050011	AXLE, FRONT WHEEL	EJE DE RUEDA DELANTERA
6	B06100011	COLLAR,FR.R WHEEL SIDE	BUJE DERECHO RUEDA DELANTERA
7	B06100012	CLIPER B, FRONT DISK BRAKE TUBE	SUJETADOR DE MANGUERA DE FRENO DELANTERO
8	B06080016	DISH BRAKE ASS'Y,FR	CONJUNTO DE FRENO DELANTERO
9	B06100015	PREVAILING TORQUE TYPE ALL-METAL HEXAGON NUTS WITH FLANGE M12x1.25	TUERCA M12x1.25
10	B06020007	FRONT TYRE TUBE ZHENGXIN 2.50/2.75-18	NEUMÁTICO LLANTA DELANTERA, ZHENGXIN 2.50/2.75-18
11	B06070005	FRONT DISK BRAKE PADS ASSY	JGO. PASTILLAS FRENO DELANTERO
12	B08030012	FRONT BRAKE LEVER	MANIGUETA DE FRENO DEL.





B07 = 油箱 / FUEL TANK / TANQUE DE COMBUSTIBLE

ITEM	UM Part #	Description	Spanish
1	B07010051	FUEL TANK ASSY BLACK	TANQUE DE COMBUSTIBLE NEGRO
1	B07010052	FUEL TANK ASSY RED	TANQUE DE COMBUSTIBLE ROJO
1	B07010053	FUEL TANK ASSY BLUE	TANQUE DE COMBUSTIBLE AZUL
1	B07010054	FUEL TANK ASSY SILVER	TANQUE DE COMBUSTIBLE PLATA
1	B07010055	FUEL TANK ASSY BASE COLOR	TANQUE DE COMBUSTIBLE COLOR BASE
2	B07060001	COLLAR, FRONT FUEL TANK	BUJE TANQUE DE GAS
3	B07060004	REAR,FUEL TANK REAR GASKET	EMPAQUE TRASERO DE GOMA TANQUE DE COMBUSTIBLE
4	B07030003	COCK ASS'Y,FUEL	LLAVE DE GASOLINA
5	B07050005	FUEL SENSOR	SENSOR DE COMBUSTIBLE
6	B07060003	OIL TUBE II (L=40mm)	MANGUERA DE ACEITE II(L 40 mm)
7	B07040007	OIL FILTER	FILTRO DE GASOLINA



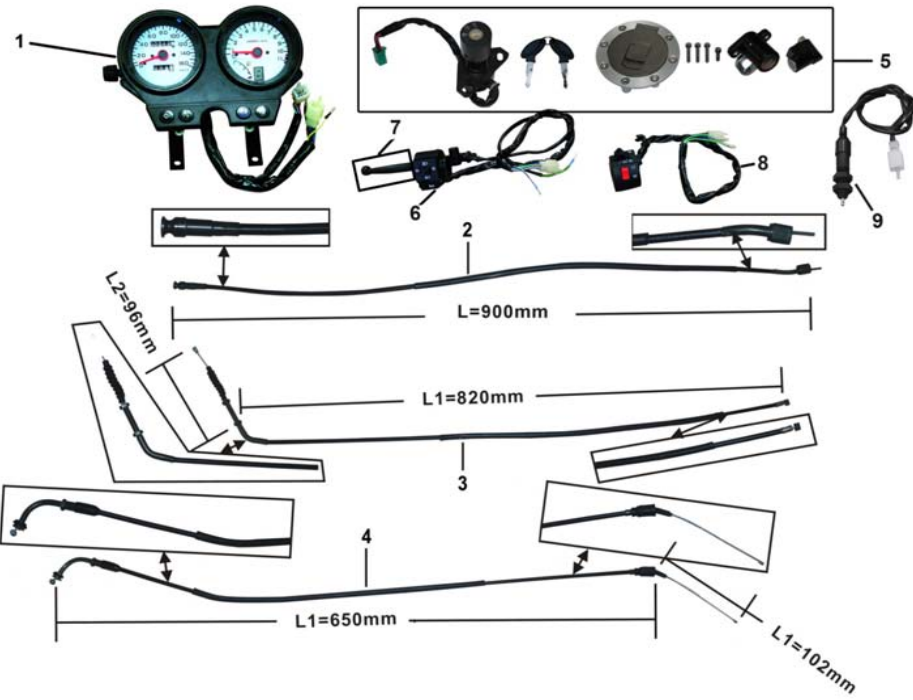
B08 = 方向把 / HANDLE BAR / MANUBRIO

ITEM	UM Part #	Description	Spanish
1	B08040008	BRIDGE,FORK TOP	HORQUILLA SUPERIOR
2	B08050007	RIGHT STEERING HANDLEBAR	MANUBRIO DIRECCIÓN DERECHO
3	B08050006	LEFT STEERING HANDLEBAR	MANUBRIO DIRECCIÓN IZQUIERDO
4	B08020012	GRIP,R.HANDLE	PUÑO DERECHO
5	B08020011	GRIP,L.HANDLE	PUÑO IZQUIERDO
6	B08020010	BALANCE PLATE ASSY	CONTRAPESO
7	B08010008	RIGHT REARVIEW MIRROR (LEAF SHAPE)	ESPEJO DER.
8	B08010009	LEFT REARVIEW MIRROR (LEAF SHAPE)	ESPEJO IZQ.



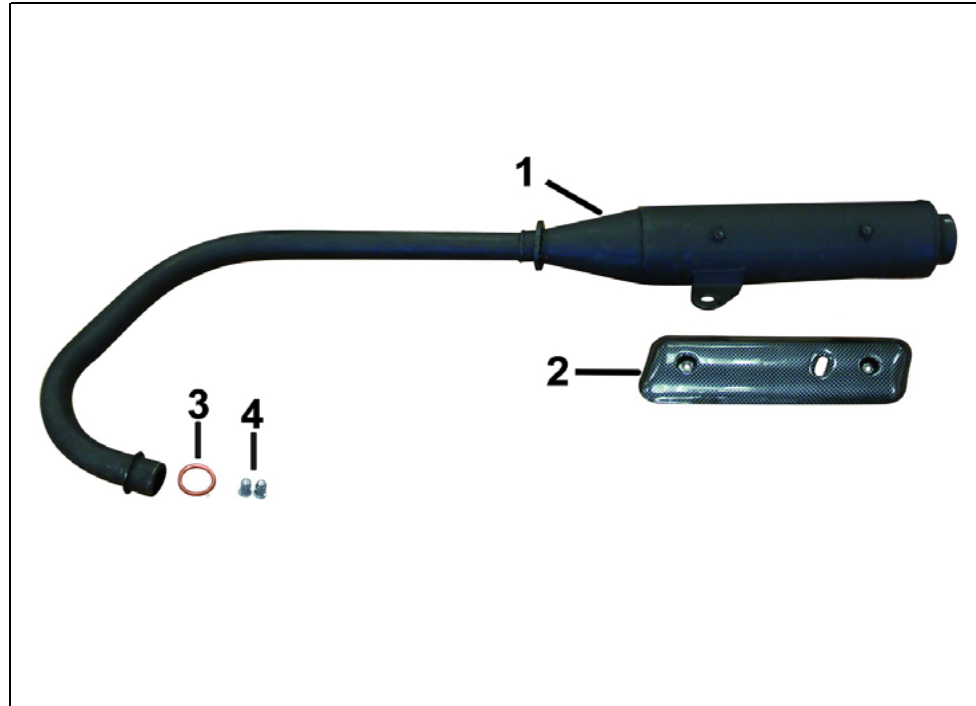
B09 = 灯具 / LIGHTS / LUCES DIRECCIONALES Y REFLEJANTES

ITEM	UM Part #	Description	Spanish
1	B09010016	HEAD LIGHT ASS'Y (PHELIP BULB)	FAROLA COMPLETA
2	B09040048	HEAD LIGHT BULB A 12V35W	FOCO DE FARO 12V35W
3	B09030012	FRONT RIGHT TURNING LIGHT	DIRECCIONAL DERECHA DELANTERA
4	B09030011	FRONT LEFT TURNING LIGHT	DIRECCIONAL IZQUIERDA DELANTER
5	B09030010	REAR L. TURNING LIGHT	DIRECCIONAL IZQUIERDA TRASERA
6	B09030009	REAR R. TURNING LIGHT	DIRECCIONAL DERECHA TRASERA
7	B09040003	TURNING LIGHT BULB	FOCO DIRECCIONAL
8	B09040024	HEAD LIGHT BULB B 12V3W	FOCO DE FARO 12V3W
9	B09020018	TAIL LIGHT ASSY	CALAVERA
10	B09040050	BULB, TAIL LIGHT (12V 8/21W)	FOCO CALAVERA
11	B09050015	REAR REFLECTOR	MICA REFLECTORA TRASERA
12	B09050016	REFLECTOR	REFLECTOR LATERAL

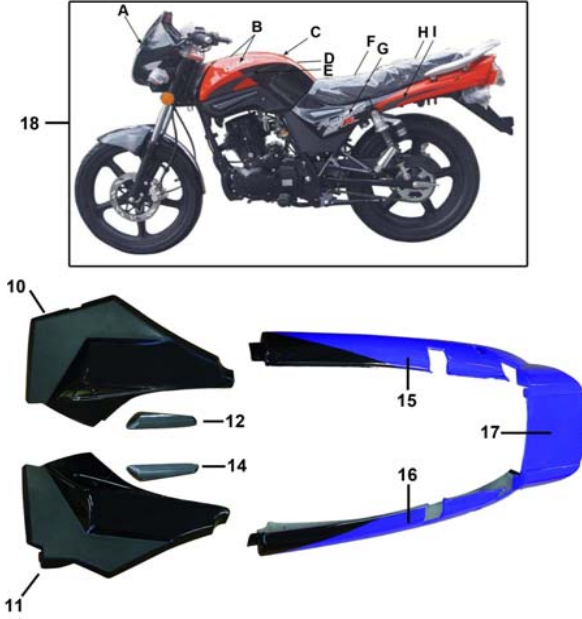


B10 = 仪表、钢索、锁具和开关 / METER, CABLES, LOCKS & SWITCH / VELOCIMETRO, GUAYAS Y CERRADURAS

ITEM	UM Part #	Description	Spanish
1	B10010016	DIGITAL SPEEDMETER	VELOCIMETRO
2	B10030018	SPEEDOMETER CABLE L1=900mm L2=24mm	GUAYA DE VELOCIMETRO L1=900mm L2=24mm
3	B10030017	CABLE COMP.,CLUTCH L1=820mm L2=96mm	GUAYA DE CLUTCH L1=820mm L2=96mm
4	B10030019	CABLE COMP.,THROTTLE L1=650mm L2=102mm	GUAYA DE ACELERADOR L1=650mm L2=102mm
5	B10020021	LOCK SET	CERRADURA DE IGNICION
6	B10050009	SWITCH COMP.,L.	CONJUNTO DE MANDO IZQUIERDO
7	B08030011	CLUTCH LEVER	MANIGUETA EMBRAGUE
8	B10050010	SWITCH COMP.,R. ASSY	CONJUNTO DE MANDO DERECHO
9	B10060028	SWITCH , REAR BRAKE	INTERRUPTOR DE FRENO TRASERO



B11 = 消声器 / MUFFLER ASSY / ESCAPE			
ITEM	UM Part #	Description	Spanish
1	B11010047	MUFFLER	ESCAPE
2	B11020007	MUFFLER PROTECTER	CUBIERTA DE ESCAPE
3	B11010011	GASKET, MUFFLER	EMPAQUE DE ESCAPE
4	B11040033	MUFFLER NUTS	TUERCA DE ESCAPE



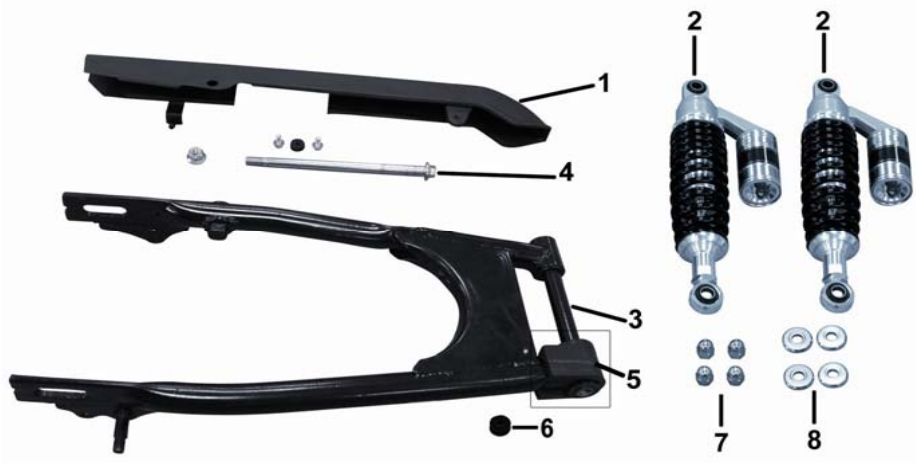
B12 = 塑料件和贴花 / PLASTIC COVERS & STICKERS / PLASTICOS Y STICKERS

ITEM	UM Part #	Description	Spanish
1	B12020092	HEADLIGHT COVER ASSY	CONJUNTO CARENAJE FRONTAL
2	B12030017	WINDSHIELD	ACRILICO CARENAJE
3	B12020093	HEADLIGHT COVER	CARENAJE FRONTAL
4	B12030018	RIGHT COVER, HEADLIGHT COVER	SOPORTE DERECHO CARENAJE FRONTAL
5	B12030019	LEFT COVER, HEADLIGHT COVER	SOPORTE IZQUIERDO CARENAJE FRONTAL
6	B12010366	RIGHT FUEL TANK DECORATIVE BAR	BARRA DECORATIVA, TANQUE DE COMBUSTIBLE
6	B12010367	RIGHT FUEL TANK DECORATIVE BAR BASE COLOR	BARRA DECORATIVA, TANQUE DE COMBUSTIBLE COLOR BASI
7	B12010368	LEFT FUEL TANK COVER	CUBIERTA DECORATIVA TANQUE DE
7	B12010369	LEFT FUEL TANK COVER BASE COLOR	CUBIERTA DECORATIVA TANQUE DE COLOR BASI
8	B12010370	RIGHT FUEL TANK COVER	CUBIERTA DERECHA TANQUE DE COMBUSTIBLE
8	B12010371	RIGHT FUEL TANK COVER BASE COLOR	CUBIERTA DERECHA TANQUE DE COMBUSTIBLE COLOR BASI
9	B12010372	LEFT FUEL TANK DECORATIVE BAR	CUBIERTA DECORATIVA TANQUE DE
9	B12010373	LEFT FUEL TANK DECORATIVE BAR BASE COLOR	CUBIERTA DECORATIVA TANQUE DE COLOR BASI
10	B12010374	RIGHT SIDE COVER BLACK	CUBIERTA LATERAL DERECHA NEGR
10	B12010375	RIGHT SIDE COVER RED	CUBIERTA LATERAL DERECHA ROJ
10	B12010376	RIGHT SIDE COVER BLUE	CUBIERTA LATERAL DERECHA AZUI
10	B12010377	RIGHT SIDE COVER SILVER	CUBIERTA LATERAL DERECHA PLAT
10	B12010378	RIGHT SIDE COVER BASE COLOR	CUBIERTA LATERAL DERECHA COLOR BASI
11	B12010379	LEFT SIDE COVER BLACK	CUBIERTA LATERAL IZQUIERDA NEGR
11	B12010380	LEFT SIDE COVER RED	CUBIERTA LATERAL IZQUIERDA ROJ
11	B12010381	LEFT SIDE COVER BLUE	CUBIERTA LATERAL IZQUIERDA AZUI
11	B12010382	LEFT SIDE COVER SILVER	CUBIERTA LATERAL IZQUIERDA PLAT
11	B12010383	LEFT SIDE COVER BASE COLOR	CUBIERTA LATERAL IZQUIERDA COLOR BASI

B12 = 塑料件和贴花 / PLASTIC COVERS & STICKERS / PLASTICOS Y STICKERS

ITEM	UM Part #	Description	Spanish
12	B12010384	RIGHT SIDE COVER B	CUBIERTA LATERAL DERECHA B
12	B12010385	RIGHT SIDE COVER B BASE COLOR	CUBIERTA LATERAL DERECHA B COLOR BASE
14	B12010386	LEFT SIDE COVER B	CUBIERTA LATERAL IZQUIERDA B
14	B12010387	LEFT SIDE COVER B	CUBIERTA LATERAL IZQUIERDA B COLOR BASE
15	B12010388	TAIL COVER RIGHT BLACK	TAPA TRASERA DERECHA NEGRO
15	B12010389	TAIL COVER RIGHT RED	TAPA TRASERA DERECHA ROJO
15	B12010390	TAIL COVER RIGHT BLUE	TAPA TRASERA DERECHA AZUL
15	B12010391	TAIL COVER RIGHT SILVER	TAPA TRASERA DERECHA PLATA
15	B12010392	TAIL COVER RIGHT BASE COLOR	TAPA TRASERA DERECHA COLOR BASE
16	B12010393	TAIL COVER LEFT BLACK	TAPA TRASERA IZQUIERDA NEGRO
16	B12010394	TAIL COVER LEFT RED	TAPA TRASERA IZQUIERDA ROJO
16	B12010395	TAIL COVER LEFT BLUE	TAPA TRASERA IZQUIERDA AZUL
16	B12010396	TAIL COVER LEFT SILVER	TAPA TRASERA IZQUIERDA PLATA
16	B12010397	TAIL COVER LEFT BASE COLOR	TAPA TRASERA IZQUIERDA COLOR BASE
17	B12010398	CENTER COVER RR BLACK	CONJUNTO TAPA TRASERA NEGRO
17	B12010399	CENTER COVER RR RED	CONJUNTO TAPA TRASERA ROJO
17	B12010400	CENTER COVER RR BLUE	CONJUNTO TAPA TRASERA AZUL
17	B12010401	CENTER COVER RR SILVER	CONJUNTO TAPA TRASERA PLATA
17	B12010402	CENTER COVER RR BASE COLOR	CONJUNTO TAPA TRASERA COLOR BASE
18	B12040078	STICKER ASSY FOR THE MOTORCYCLE	CONJUNTO CALCOMANIAS MOTOCICLETA
19	B12010403	FUEL TANK NECK	CUELLO DE TANQUE DE GAS





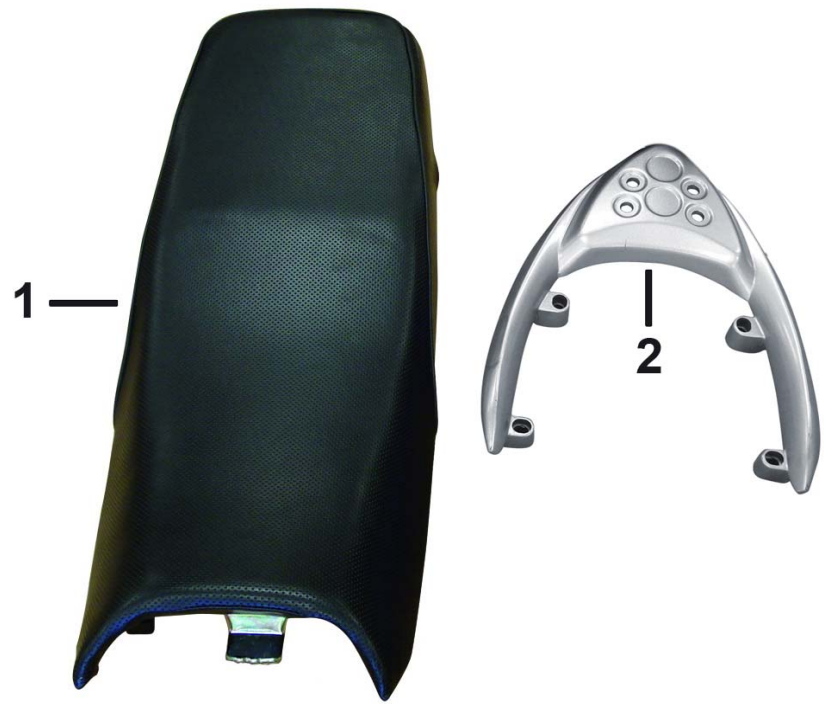
B14 = 后摇架 / REAR FORK / HORQUILLA TRASERA

ITEM	UM Part #	Description	Spanish
1	B15090049	CHAIN COVER	CUBRE CADENA
2	B14020021	REAR SHOCK ABSORBER	AMORTIGUADOR TRASERO
3	B14010019	REAR SWING ARM	EJE DE HORQUILLA TRASERA
4	B14010020	SWING ARM AXLE,	EJE HORQUILLA TRASERA
5	B15090050	CHAIN DRIVE SLIDE	CAUCHO DESLIZADOR DE CADENA
6	B14030053	BUSH	BUJE
7	B05030022	PREVAILING TORQUE TYPE ALL-METAL HEXAGON NUTS WITH FLANGE M8	TUERCA M8



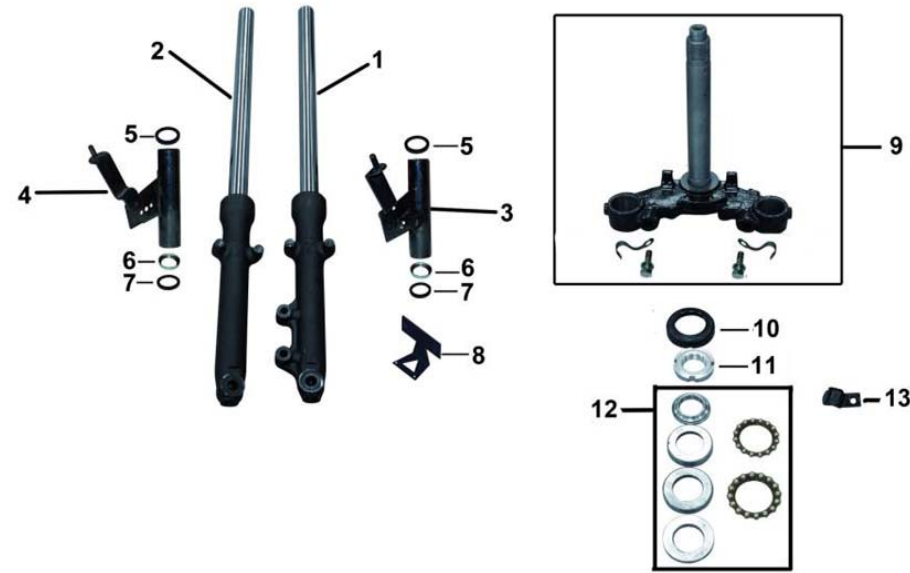
B15 = 后轮 & 后刹车 / REAR WHEEL & BRAKE ASSY / RUEDA TRASERA Y FRENO TRASERO

ITEM	UM Part #	Description	Spanish
1	B15030014	WHEEL SUB ASS'Y,RR. 2.5x16	RIN TRASERO 2.5x16
2	B15020007	INNER TUBE,REAR WHEEL ZHENGXIN 4.00/4.60-16	NEUMÁTICO LLANTA TRASERA, ZHENGXIN 4.00/4.60-16
3	B15010006	TIRE,RR.WHEEL ZHENGXIN 110/90-16	LLANTA TRASERA, ZHENGXIN 110/90-16
4	B15050016	AXLE,RR.WHEEL	EJE TRASERO
5	B15130010	PREVAILING TORQUE TYPE ALL-METAL HEXAGON NUTS WITH FLANGE M14	TUERCA M14
6	B15120005	DAMPER CUSHION	MAZA DE RIN TRASERO
7	B15120004	REAR WHEEL HUB	DAMPER DE TRACCION
8	B15080023	REAR BRAKE DISC 240mm	DISCO DE FRENO TRASERO 240mm
9	B15050017	COLLAR,RR.RWHEEL SIDE	BUJE DERECHO RUEDA TRASERA
10	B15130007	POSITION PLATE, SPROCKET	PLATINA SUJETADORA SPROCKET
11	B15100006	SPROCKET,FINAL DRIVE 42	POTENCIADOR FINAL 42
12	B15130011	CROSS PAN HEAD SCREW M4x16	TORNILLO M4x16
13	B15130008	HEXAGON NUTS,STYLE 1 M8	TUERCA HEX M8
14	B15130006	BOLT M8x28, SPROCKET WHEEL	TUERCA M8X28 SPROCKET
15	B15110005	CHAIN ADJUSTER	TENSOR CADENA
16	B15090018	CHAIN KMC 428H x124	CADENA KMC 428H x 124
17	B15080007	DISH BRAKE ASS'Y,RR, GOLD COLOR+	CONJUNTO DE FRENO TRASERO
18	B15070005	REAR DISK PADS ASSY	JGO. PASTILLAS FRENO TRASERO
19	B15080011	UP DISK REAR BRAKE CYLINDER ASSY A	CONJUNTO CILINDRO A, FRENO DISCO SUP.
20	B15080010	BRAKE OIL TUBE B	MANGUERA



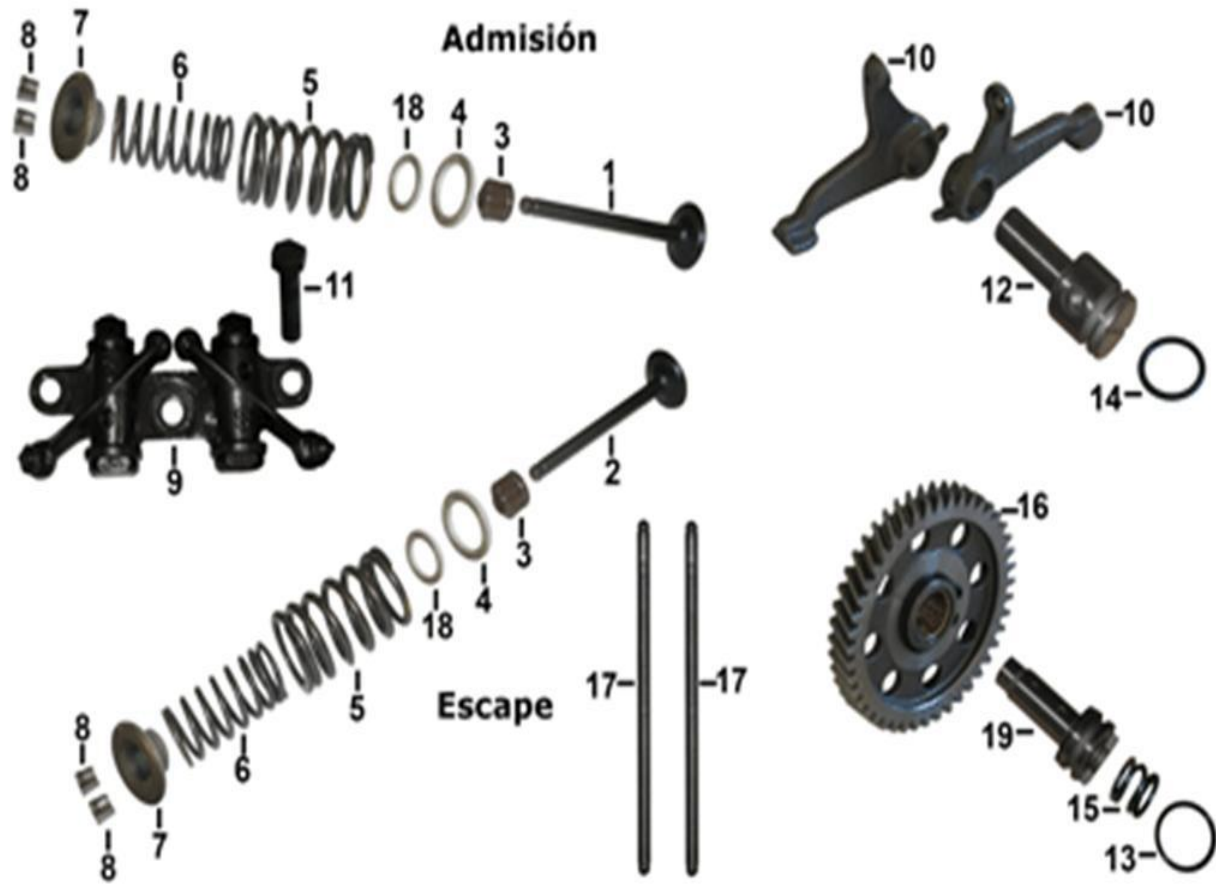
B16 = 坐垫 & 后货架 / SEAT & RACK / ASIENTOS Y PARRILLAS

ITEM	UM Part #	Description	Spanish
1	B16010020	SEAT ASSY	ASIENTO
2	B16020015	REAR CARRIER	PARRILLA



B17 = 方向柱、前減 / STEERING STEM, FRONT SHOCK ABSORBER / SUSPENSION DELANTERA

ITEM	UM Part #	Description	Spanish
1	B17020009	RIGHT.FRONT SHOCK ABSORBER	HORQUILLA DELANTERA DERECHA
2	B17030011	LEFT.FRONT SHOCK ABSORBER	HORQUILLA DELANTERA IZQUIERDA
3	B17070072	HEADLIGHT BRACKET RIGH1	BASE DE FARO IZQUIERDO
4	B17070073	HEADLIGHT BRACKET LEFT	BASE DE FARO DERECHO
5	B17070053	UPPER RUBBER CAP,HEADLIGHT BRACKET	ANILLO DE CAUCHO SUP. SOPORTE FAROLA
6	B17070054	UPPER GUID TUBE,HEADLIGHT BRACKET	GUIA SUP. SOPORTE FAROLA
7	B17070039	RUBBER CUSHION RING, HEADLIGHT BRACKET	CAUCHO ANTIVIBRANTE, SOPORTE FAROLA
8	B17070074	BRACKET, HEADLIGHT COVER	SOPORTE FAROLA
9	B17010006	STEERING STEM	COLUMNA DE DIRECCION
10	B17050019	BEARING COVER	PROTECTOR BALINERA
11	B17050020	COMPRESSED NUT	TUERCA DE COMPRESION
12	B17050014	STEERING BEARING ASSY	JUEGO CUNAS DE DIRECCION
13	B17070075	CABLE CLIPER, B	CLIP GUAYA DE CLUTCH



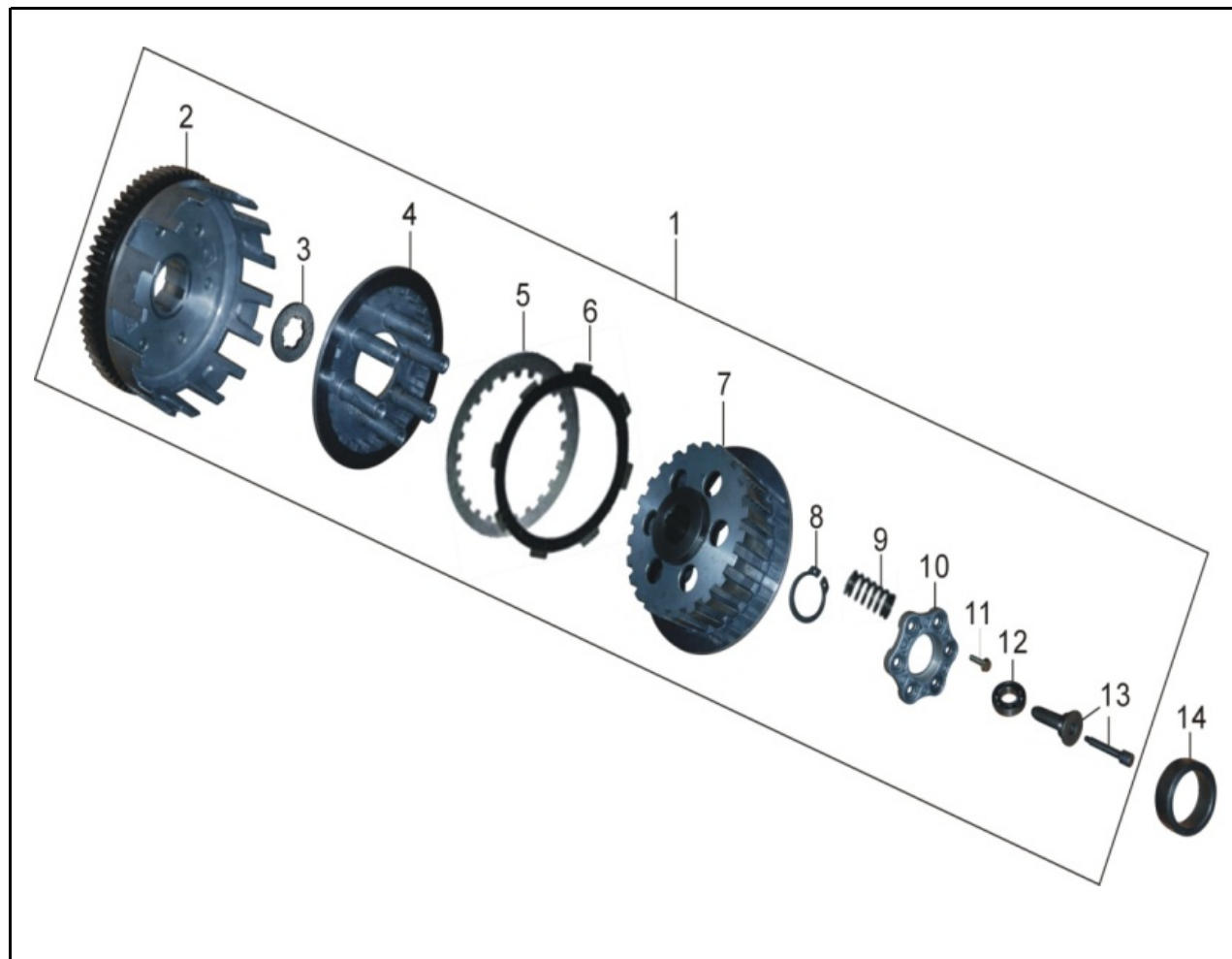
E01 = 进气和排气系统 / AIR INLET EXHAUST SYSTEM / TREN DE VALVULAS

ITEM	UM Part #	Description	Spanish
1	E01050001	INLET VALVE	VÁLVULA INT.
2	E01050002	EXHAUST VALVE	VÁLVULA EXT.
3	E01020001	VALVE STEM SEAL ASSY	SELLO DE ACEITE, VÁSTAGO VÁLVULA
4	E01040001	RETAINER, VALVE OUTER SPRING	ASIENTO DEL RESORTE EXTERIOR, VÁLVULA
5	E01040002	VALVE OUTER SPRING	RESORTE EXTERIOR, VÁLVULA
6	E01040003	VALVE INNER SPRING	RESORTE INTERIOR, VÁLVULA
7	E01040004	RETAINER, VALVE SPRING	RETENEDOR DEL RESORTE DE VÁLVULA
8	E01050003	VALVE COTTER	SEGURO, VÁLVULA
9	E01010001	ASSEMBLY, VALVE ROCKER ARM	CONJUNTO SUPERIOR BALANCINES
10	E01040005	LOWER ROCKER ARM	BRAZO IMPULSADOR INFERIOR
11	E01060022	BOLT M8×32	PERNO ASIENTO IMPULSADOR M8×32
12	E01040007	SHAFT, LOWER ROCKER ARM	EJE INFERIOR DE BALANCIN
13	E01020002	O-RING 20×2.5	O-RING 16.8 X 2.5
14	E01020009	O-RING 17×2.5	O-RING 17×2.5
15	E01040008	SPRING, VALVE CAMSHAFT	RESORTE
16	E01030001	ASSEMBLY, TIMING DRIVEN GEAR	PIÑÓN DE REPARTICIÓN
17	E01040009	ASSEMBLY, PUSH ROD	CONJUNTO DE GUIA DE VALVULA
18	E01040010	RETAINER, VALVE INNER SPRING	ASIENTO DEL RESORTE INTERIOR, VÁLVULA
19	E01060002	SHAFT ASSEMBLY, TIMING DRIVEN GEAR	EJE DEL PIÑÓN DE REPARTICIÓN

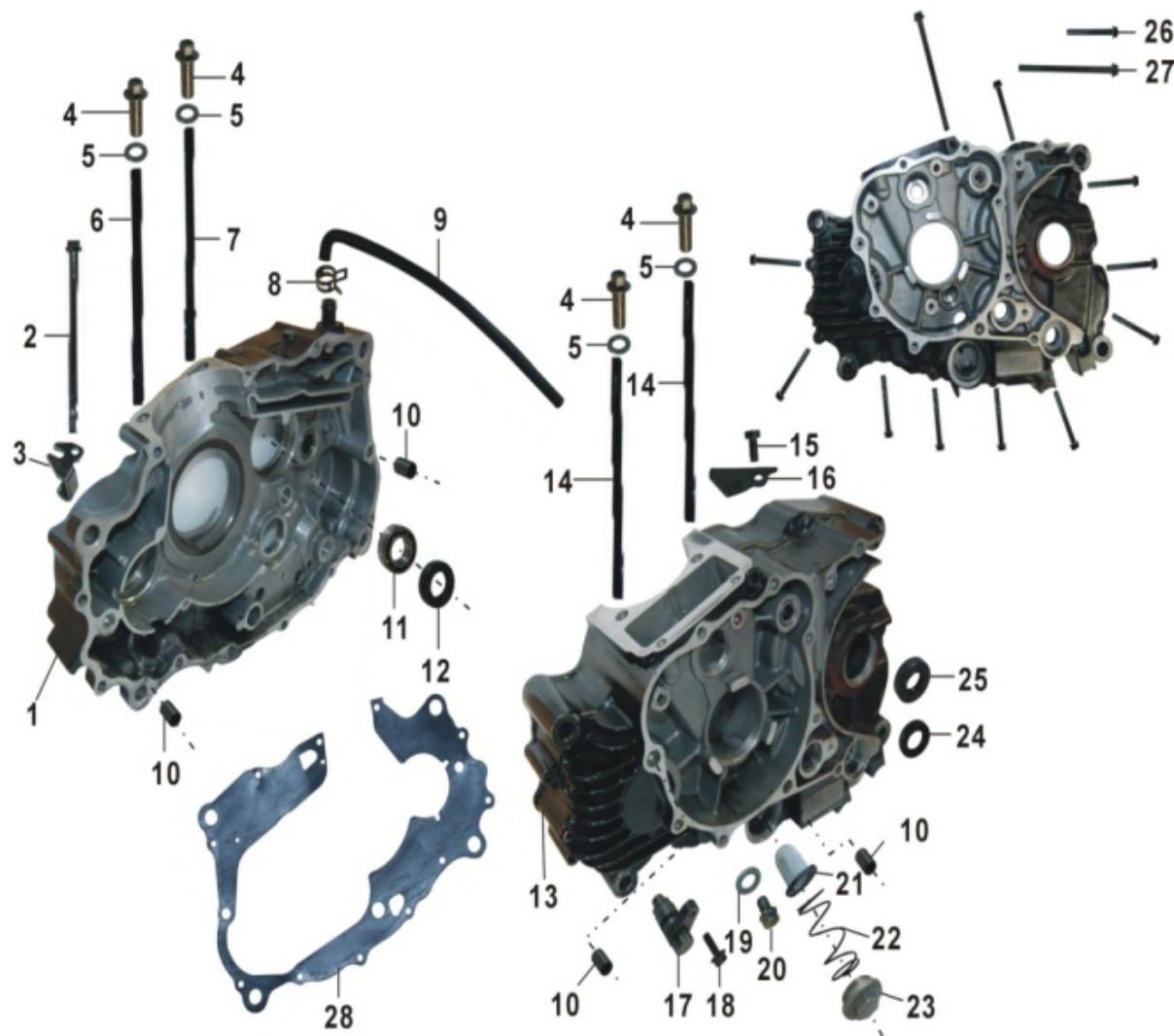


E02 = 化油器和发动机 / CARBURETOR AND ENGINE / CARBURADOR Y MOTOR

ITEM	UM Part #	Description	Spanish
1	E02010006	CARBURETOR	CARBURADOR
2	E02020003	200CC ENGINE ASSY (BLACK)	200CC MOTOR COMPLETO (NEGRO)



E03 = 离合器 / CLUTCH / EMBRAGUE			
ITEM	UM Part #	Description	Spanish
1	E03020014	CLUTCH ASSEMBLY	PRENSA DE EMBRAGUE COMPLETA
2	E03020001	OUTER CASE ASSEMBLY, CLUTCH	CONJ CAMPANA DE CLUTCH
3	E03060002	SPLINE WASHER, CLUTCH	ARANDELA
4	E03030001	PRESSURE PLATE, CLUTCH	PLATO DE PRESION
5	E03030002	FRICTION PLATE, DRIVEN, CLUTCH	PLATO DE CORREA
6	E03030003	FRICTION PLATE, DRIVE, CLUTCH	PLATO DE CLUTCH A
7	E03020002	CENTRAL SLEEVE., CLUTCH	CUBO DE TRASMISION
8	E03060020	CIRCLIP 20, CLUTCH	CLIP 20
9	E03060001	SPRING, CLUTCH	RESORTE
10	E03010001	END COVER, CLUTCH	CUBIERTA FINAL DE CLUTCH
11	E08040008	BOLT M6x25	TORNILLO M6 X 25
12	E03050001	BEARING (16003)	RODAMIENTO16003
13	E03060003	PUSH ROD, CLUTCH	RESORTE MOTOR 200 CONTRABALANCIN
14	E03060019	LOCATING SLEEVE, MAINSHAFT	ANILLO DE RETENCIÓN

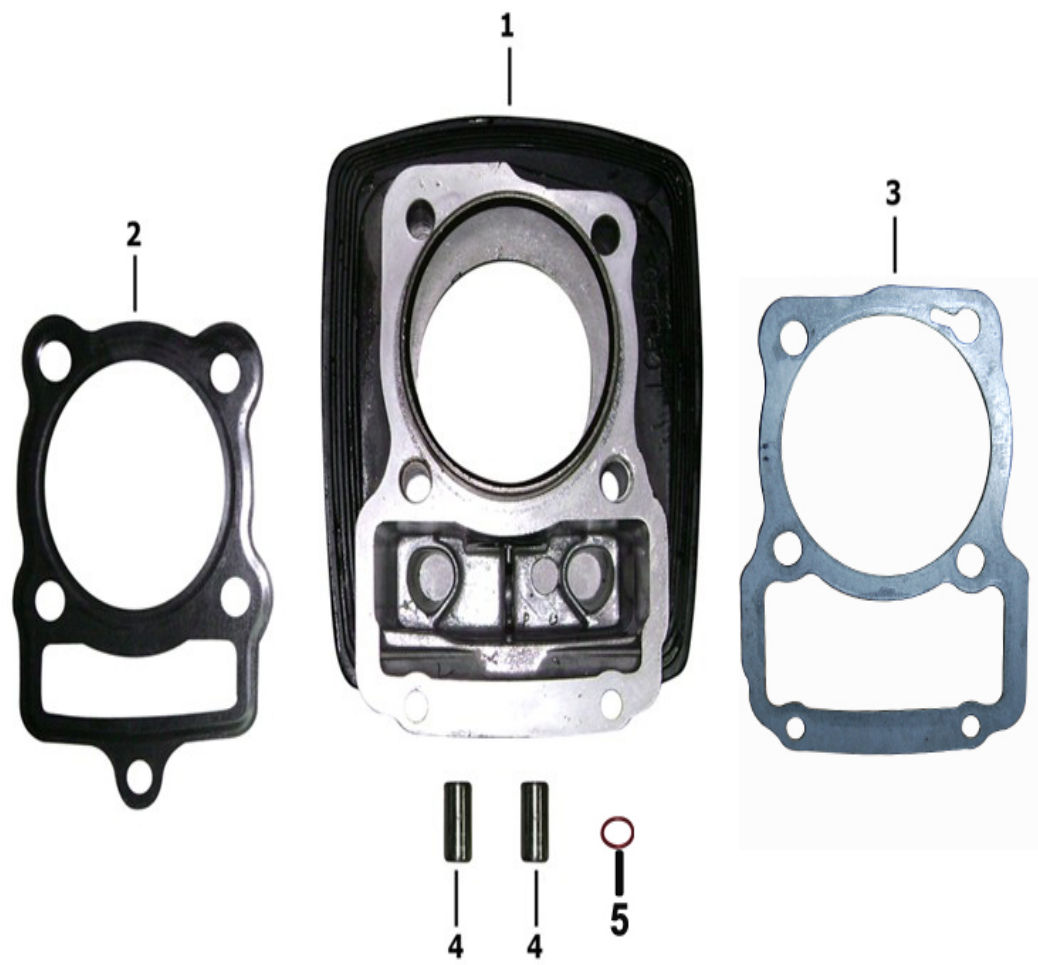


E04 = 曲轴箱 / CRANKCASE ASSEMBLY / CARCAZAS DE MOTOR (CARTER)			
ITEM	UM Part #	Description	Spanish
1	E04010010	ASSEMBLY, RIGHT CRANKCASE, BLACK	CONJ CARCAZA DE MOTOR LADO DERECHO
2	E04060017	BOLT	TORNILLO M6 X 55
3	E04060002	STEEL BRACKET, CLUTCH	SOPORTE DE GUAYA DE CLUTCH
4	E04060004	NUT M8×32	TUERCA M8×32 MOTOR 200 C.balanceo
5	E04060019	WASHER 12.5×2×22	ARANDELA 8 COBRE
6, 7	E04060005	STUD B	TORNILLO CILINDRO A
8	E04060045	BREATHER TUBE	CLIP DE TUBERIA DESAHOGO
9	E04020005	SEPARATOR, FUEL 1 AND AIR	TUBO RESPIRADERO
10	E04060037	DOWEL PIN 10×14	PASADOR 10 X 14
11	E04030001	NEEDLE BEARING (NK152312)	CANASTILLA EJE SALIDA (NK152312)
12	E04020007	OIL SEAL 20×34×7	PIÑÓN DE ARRANQUE EJE SECUNDARIO MOTOR 20×34×7
13	E04010009	ASSEMBLY, LEFT CRANKCASE, BLACK	CONJ CARCAZA DE MOTOR LADO IZQ. BLACK
14	E04060003	STUD A	TORNILLO CILINDRO B
15	E13010002	BOLT M6×12	TORNILLO M6 X 12
16	E04060023	RETAINER, CABLE	GUÍA,
17	E04050004	ASSEMBLY, PRESSURE PIN	PRESSING PIN
18	E04060006	BOLT M6×28	TORNILLO M6 X 28
19	E04060015	WASHER 12.5×1.5×20 (ALUMINIUM)	ARANDELA 12.5×1.5×20
20	E04060016	OIL DRAIN PLUG M12×1.5	TAPÓN DE DRENAJE M12×1.5
21	E04050003	ASSEMBLY, OIL FILTER SCREEN	FILTRO COLADOR DE ACEITE
22	E04050002	SPRING, OIL FILTER SCREEN	RESORTE DE FILTRO / COLADOR DE ACEITE
23	E04050001	CAP, TAPPET ADJUSTING HOLE	TORNILLO DE DRENAJE
24	E04020002	OIL SEAL 14×28×7	SELLO DE ACEITE
25	E04030005	BEARING (6204)	RODAMIENTO (6204)
26	E12060010	BOLT M6×40	TORNILLO M6 X 40
27	E04060046	BOLT M6×50	TORNILLO M6×50
28	E04020006	GASKET, CRANKCASE	EMPAQUETADURA DE CARTER



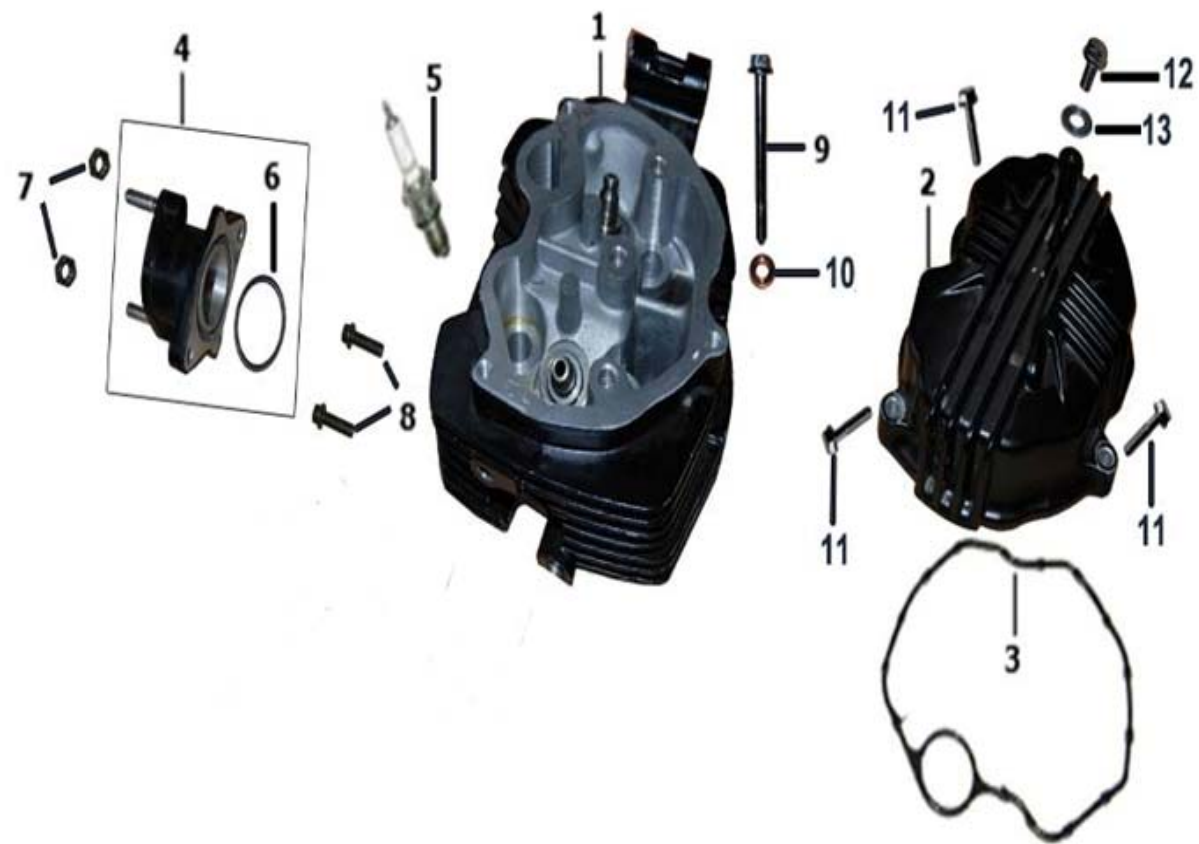
E05 = 曲轴 & 活塞 / CRANKSHAFT & PISTON / CIGÜEÑAL, PISTON Y ANILLOS

ITEM	UM Part #	Description	Spanish
1	E05020001	ASSEMBLY, CONNECTING ROD CRANKSHAFT	CONJ CIGÜEÑAL
2	E05010005	ASSEMBLY, PISTON RING	JGO. ANILLOS STD.
3	E05010002	PISTON	PISTON
4	E05010008	CIRCLIP, PISTON PIN	ANILLO DE RETENCIÓN PISTÓN
5	E05010003	PISTON PIN	PISTON PIN
6	E05030001	SEMICIRCULAR KEY 25×14×4	LLAVE SEMI-CIRCULAR 25 X 14 X 4
7	E05030024	LOCK NUT M16×1-6H (LEFT)	TORNILLO DE CIERRE IZQUIERDO
8	E13030005	THRUST WASHER 16.2×3×22.5	ESPACIADOR 16.2×3×22.5
9	E05030002	DRIVEN GEAR ASSEMBLY, BALANCE	EJE BALANCE DE ENGRANAJE
10	E05030003	BEARING (6203)	RODAMIENTO 6203
11	E05030004	BALANCE SHAFT	EJE DE BALANCE
12	E05030001	SEMICIRCULAR KEY 25×14×4	LLAVE SEMI-CIRCULAR 25 X 14 X 4
13	E05030005	BEARING (6303)	RODAMIENTO 6303
14	E05030008	DRIVING GEAR, BALANCE	EJE DE DIRECCION DE ENGRANAJE



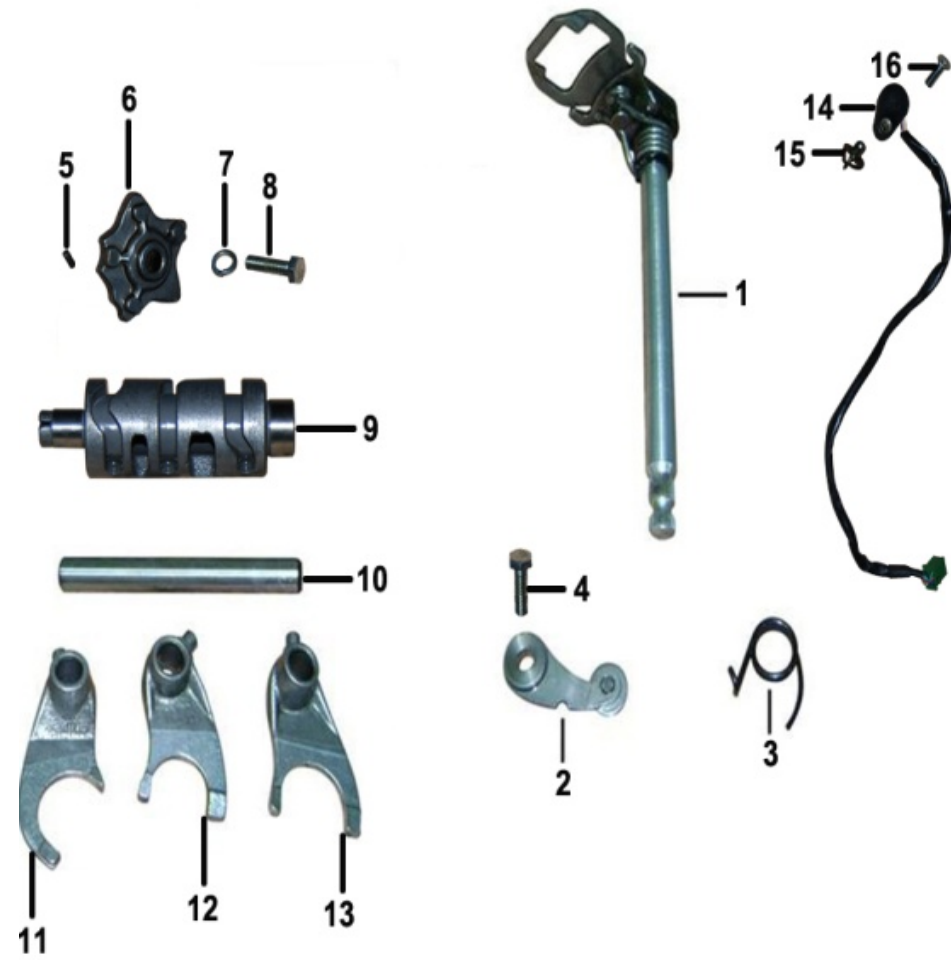
E06 = 汽缸体 / CYLINDER BLOCK / CILINDRO DE MOTOR

ITEM	UM Part #	Description	Spanish
1	E06010001	CYLINDER BLOCK COMP, BLACK	CONJ BLOQUE MOTOR
2	E06020002	GASKET ASSY,CYLINDER HEAD	EMPAQUETADURA DE TAPA DE VALVULA
3	E06020001	GASKET,CYLINDER BLOCK	EMPAQUETADURA DE CILINDRO
4	E06030004	DOWEL PIN 10×20	PASADOR 10 X 20
5	E06030012	O-RING 10×1.6	O-RING 10 X 1.6



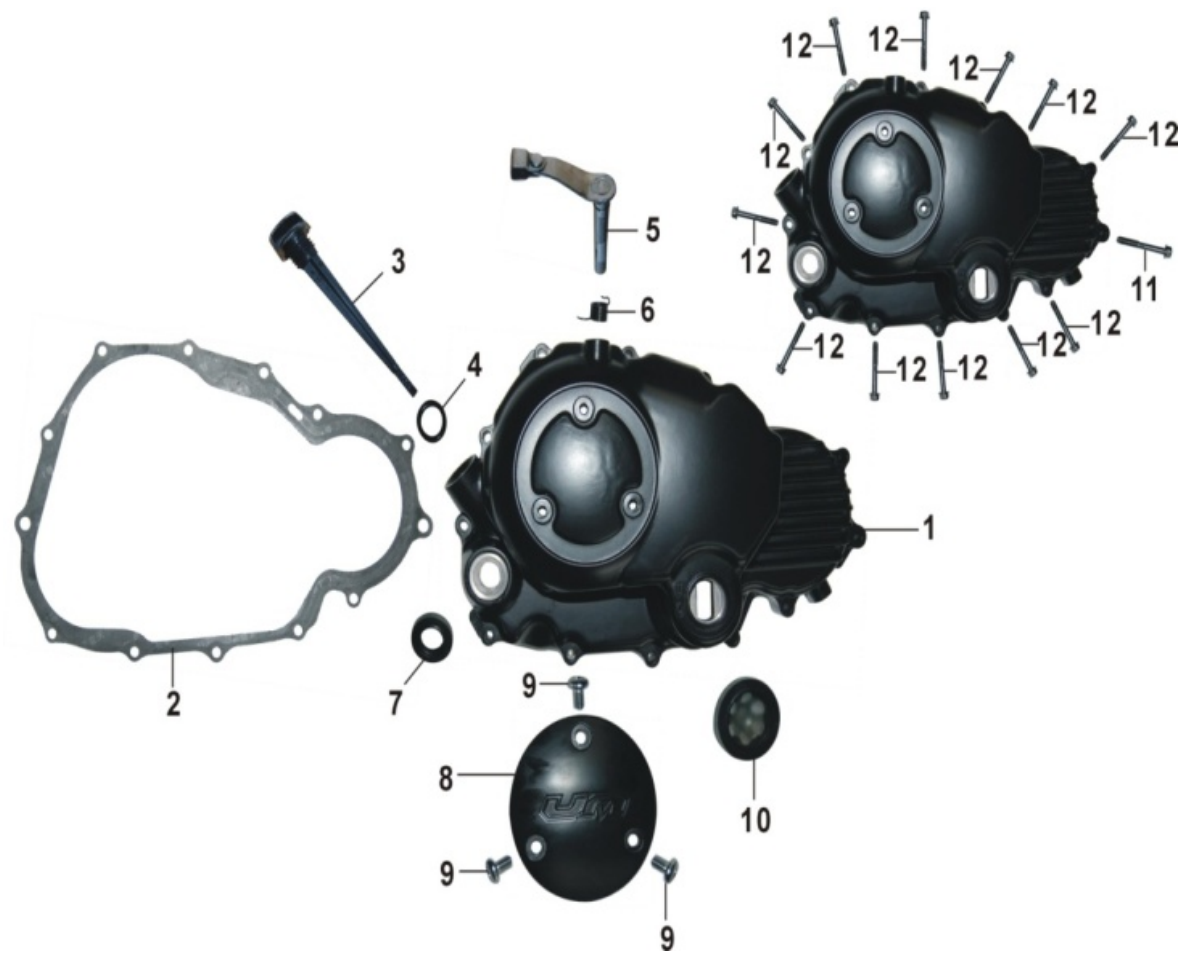
E07 = 汽缸头和盖 / CYLINDER HEAD & COVERS / CULATA Y CUBIERTAS

ITEM	UM Part #	Description	Spanish
1	E07010002	CYLINDER HEAD ASSY, BLACK	CONJ CAMARIN
2	E07010013	CYLINDER HEAD UPPER COVER, BLACK, SILVER	TAPA VALVULA
3	E07030001	SEAL RING, CYLINDER HEAD UPPER COVER	EMPAQUE TAPA CULATA
4	E07050001	PIPE COMP,INTAKE (JQ-18)	GOMA MANIFOLD
5	E07020001	SPARK PLUG (D8TC)	BUJÍA DE ENCENDIDO(D8TC)
6	E07030002	O-RING 33.5×3	O-RING 33.5 X 3
7	E07040029	NUT M6	TUERCA M6
8	E07040004	BOLT M6×20	TORNILLO M6 X 30
9	E07040003	BOLT M8×82	PERNO CILINDRO M8×82
10	E07040001	WASHER 8.5×2.2×18	ARANDELA 8.5×2.2×18
11	E08030001	BOLT M6×28	TORNILLO M6 X 22
12	E13010002	BOLT M6×12	TORNILLO M6 X 12
13	E07040001	WASHER 6.5×1×12	ARANDELA 6



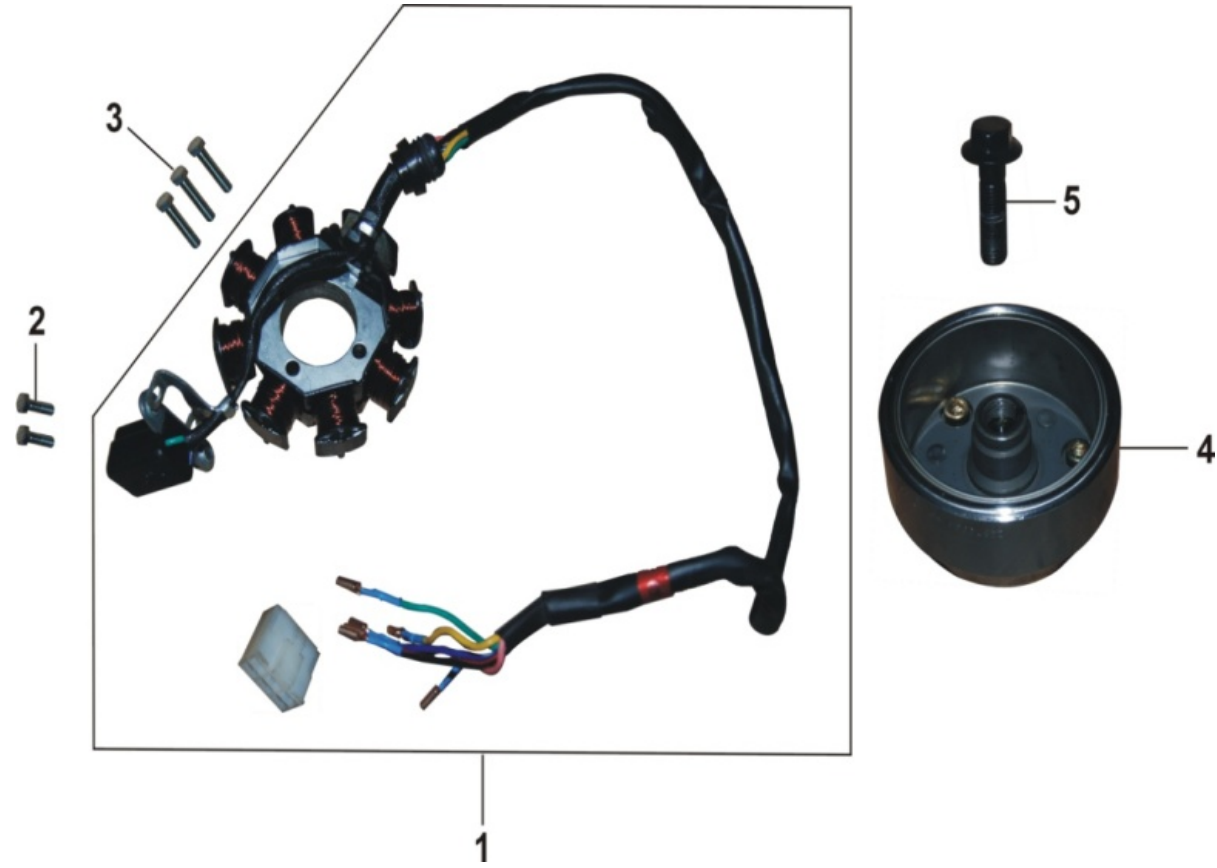
E08 = 齿轮 / GEAR SHIFTING / TAMBOR SELECTOR

ITEM	UM Part #	Description	Spanish
1	E08010009	ASSEMBLY, GEARSHIFT LEVER	EJE DE CAMBIOS COMPLETO
2	E08040002	ASSEMBLY, LOCATING PLATE	SWITCH DE ROTOR NEUTRAL
3	E07040005	SPRING, LOCATING PLATE	RESORTE
4	E08030001	BOLT M6×20	TORNILLO M6 X 22
5	E08040001	PIN 4×10	PIN 4×10
6	E08010007	STOPPING PLATE	PLATO DE ENGRANAJE PRINCIPAL
7	E07040001	SPRING WASHER φ6	ARANDELA DE PRESIÓN φ6
8	E08040008	BOLT M6×25	TORNILLO M6 X 25
9	E08010008	GEARSHIFT DRUM	SELECTOR DE CAMBIO
10	E08010003	SHAFT, FORK SPREADER	EJE GUIA DE HORQUILLA
11	E08010004	RIGHT FORK SPREADER,COUNTERSHAFT	ENGRANAJE PRINCIPAL DE HORQUILLA DER.
12	E08010005	FORK SPREADER, MAINSHAFT	ENGRANAJE CENTRAL DE HORQUILLA
13	E08010006	LEFT FORK SPREADER, COUNTERSHAFT	ENGRANAJE PRINCIPAL HORQUILLA IZQ.
14	E04050006	CABLE ASSEMBLY, GEAR INDICATION	INTERRUPTOR IINDICADOR DE CAMBIOS
15	E08030003	CONTACT, CEARINDICATION	CONTACTO DE INDICADOR DE CAMBIOS
16	E08040022	BOLT M6×12	TORNILLO M6×12



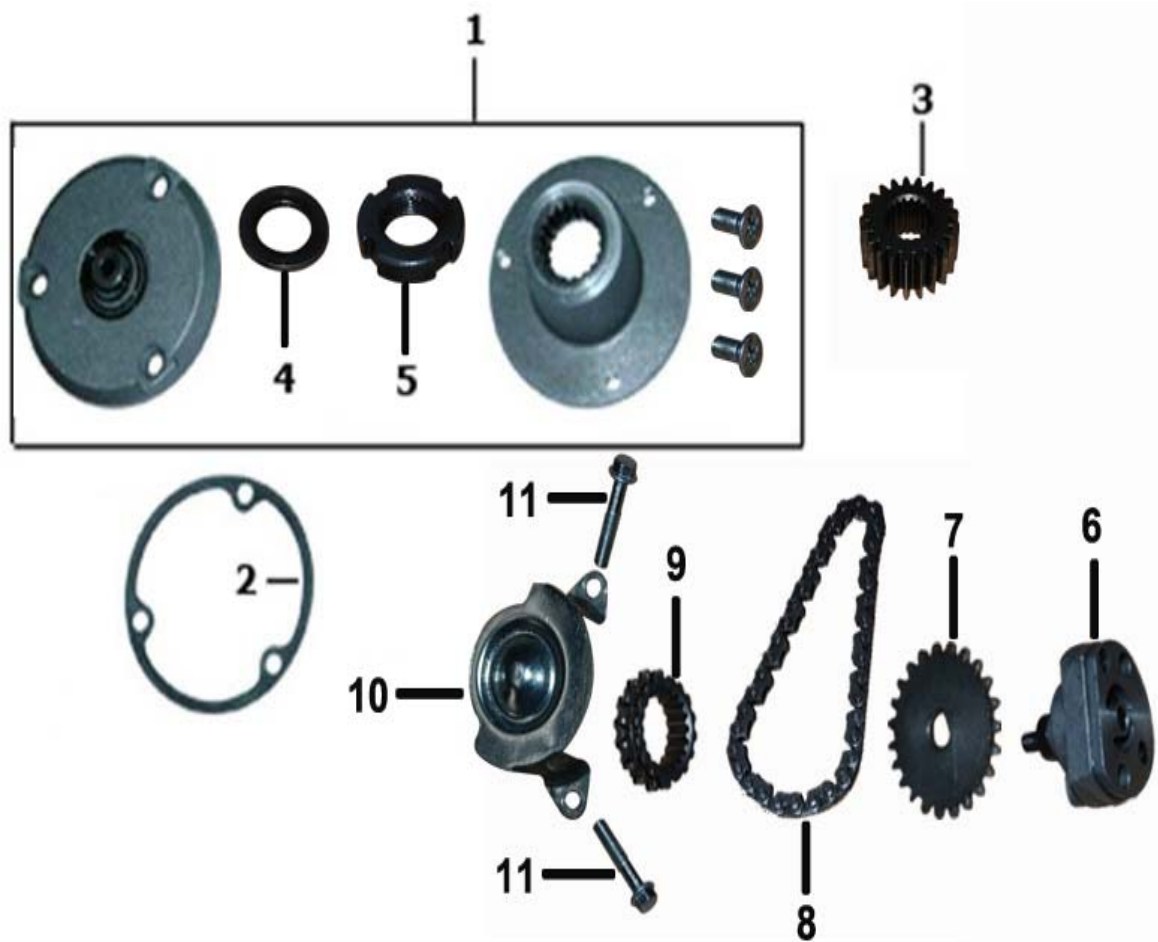
E09 = 左曲轴箱 / LEFT CRANKCASE COVER / CUBIERTA IZQUIERDA DE MOTOR

ITEM	UM Part #	Description	Spanish
1	E09010014	ASSEMBLY, RIGHT CRANKCASE COVER, BLACK	TAPA DE MOTOR
2	E12030001	GASKET, RIGHT CRANKCASE COVER	EMPAQUETADURA DE TAPA DE MOTOR
3	E09050016	DIPSTICK	CONJUNTO LEVA EMBRAGUE
4	E09030009	O-RING 18×3	O-RING 18 X 3
5	E12020001	CONTROLLING ARM ASSEMBLY,CLUTCH	PALANCA DE CLUTCH
6	E09050017	SPRING, CONTROLLING ARM, CLUTCH	RESORTE DE PALANCA DE CLUTCH
7	E12030002	OIL SEAL 16×28×7	SELLO DE ACEITE
8	E09010015	DECORATE COVER, RIGHT CRANKCASE COVER, BLACK+E1412	DECORACION DE CUBIERTA DE CLUTCH
9	E13010002	SCREW M6×12	TORNILLO M6 X 12
10	E12050002	WINDOW, OIL LEVEL	SENSOR DE NIVEL DE ACEITE
11	E09050018	BOLT M6×45	TORNILLO M6 X 45
12	E09050001	BOLT M6×40	TORNILLO M6 X40



E10 = 磁电机 / MAGNETO / GENERADOR

ITEM	UM Part #	Description	Spanish
1	E10010002	STATOR ASSEMBLY, MAGNETO	ESTATOR
2	E10030004	SCREW M5×16	TORNILLO M8 X 10
3	E10030005	BOLT M5×28	TORNILLO M6 X 28
4	E10020001	ROTOR ASSEMBLY, MAGNETO	ROTATOR
5	E05030009	BOLT M10×36	TORNILLO PIVOTE

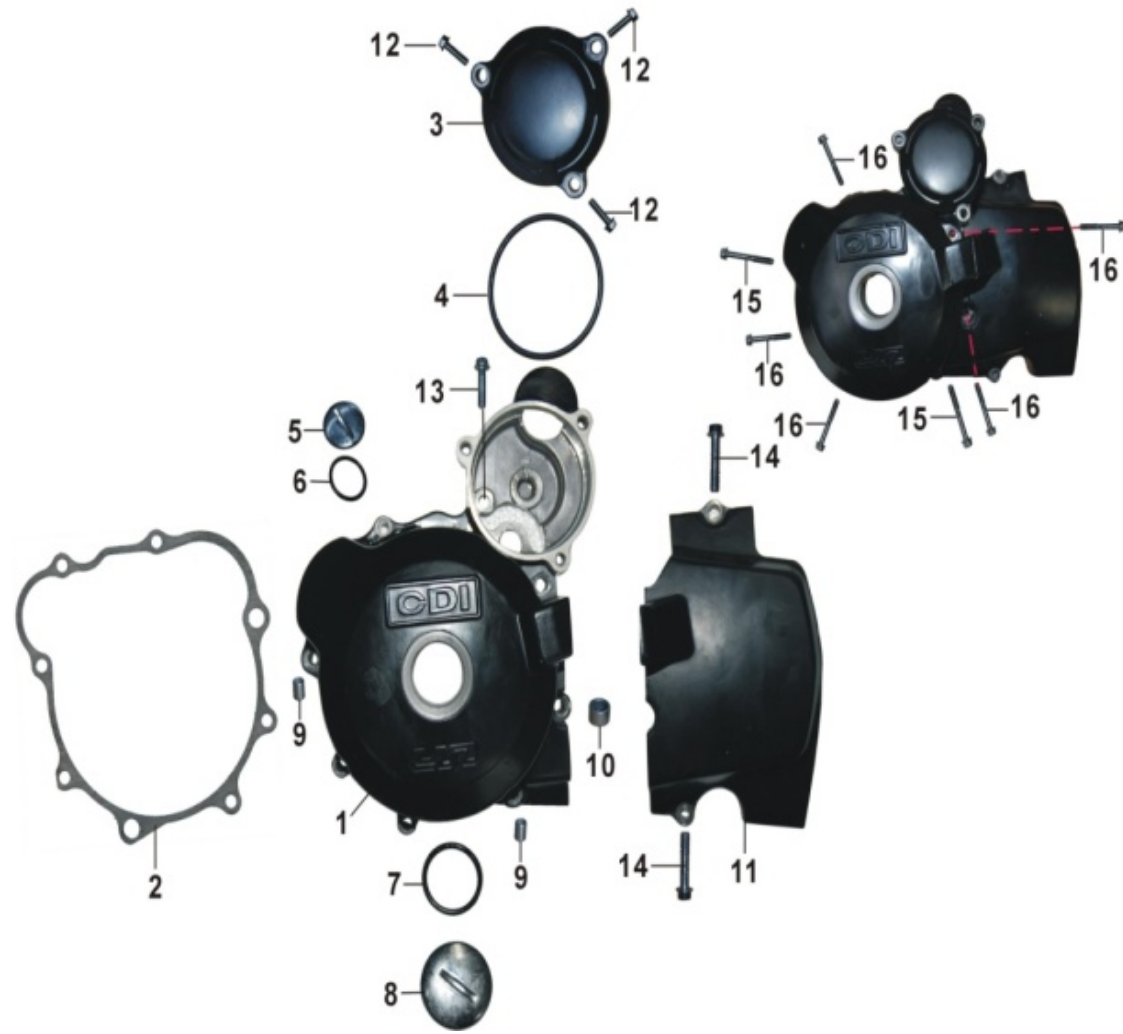


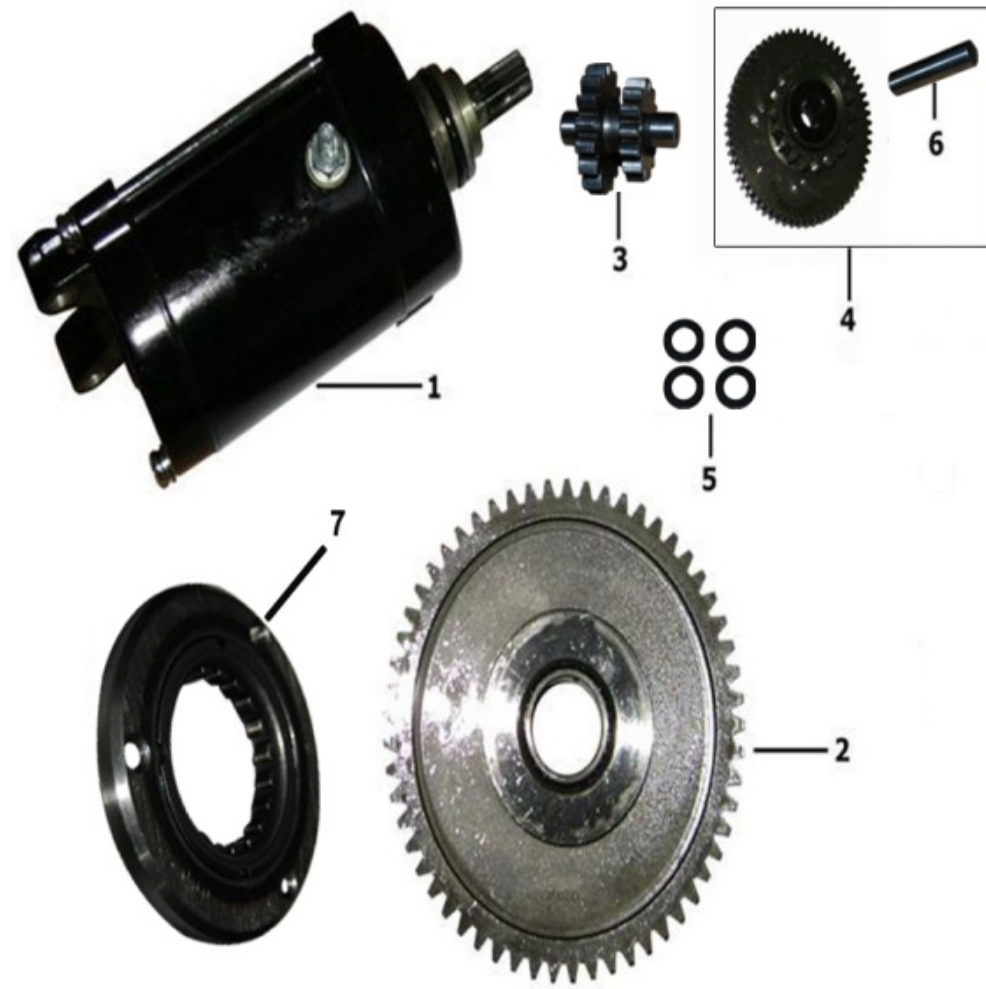
E11 = 油泵 & 汽油过滤器 / OIL PUMP&OIL FILTER COMP / BOMBA DE ACEITE Y FILTROS

ITEM	UM Part #	Description	Spanish
1	E11020001	ASSEMBLY, OIL FILTER	FILTRO DE ACEITE
2	E11030004	GASKET, OIL FILTER COVER	EMPAQUETADURA
3	E05030007	DRIVE GEAR	ENGRANAJE DE ARBOL DE LEVA
4	E11040009	DISH WASHER, CLUTCH	ARANDELA CLUTCH
5	E05030006	NUT, OIL FILTER	PIÑON BOMBA DE ACEITE
6	E11010001	OIL PUMP	CUBIERTA BOMBA DE ACEITE
7	E11040008	DRIVE SPROCKET ASSEMBLY, OIL PUMP	PIÑON DE DIRECCION BOMBA DE ACEITE
8	E11040001	CHAIN, OIL PUMP	CADENA DE BOMBA DE ACEITE
9	E05030011	DRIVE SPROCKET, OIL PUMP	SPROCKET BOMBA DE ACEITE
10	E11010005	COVER, SPROCKET WHEEL, OIL PUMP	PIÑON DE BOMBA DE ACEITE
11	E13010002	BOLT M6×32	TORNILLO M6 X 32

E12 = 右箱体 / RIGHT CRANKCASE COVER / CUBIERTA DERECHA DE MOTOR

ITEM	UM Part #	Description	Spanish
1	E12010012	FRONT COVER, LEFT CRANKCASE, BLACK	CUBIERTA DE TAPA DE MOTOR
2	E09030001	GASKET, FRONT COVER, LEFT CRANKCASE	EMPAQUETADURA DE CUBIERTA
3	E12010015	COVER, DOUBLE GEAR	CUBIERTA DE REDUCTOR DE ENGRANAJE
4	E09030002	O-RING 62×3	O- RING 62 X 3
5	E04060012	CAP, SMALL VIEW HOLE	TAPON DE INSPECCION
6	E12030004	O-RING 13.2×2.65	O-RING 13.8 X 2.5
7	E12030005	O-RING 27.4×2.65	O- RING 27.4 X 2.65
8	E12010014	DECORATE COVER, FRONT COVER	CUBIERTA DE DECORACION
9	E04060021	DOWEL PIN 10×14	GUÍA 10×14
10	E13020001	NEEDLE BEARING (HK101410)	RODAMIENTO DE AGUAJA HK101410
11	E12010013	REAR PART, LEFT CRANKCASE COVER	CUBIERTA TRASERA DE TAPA MOTOR
12	B06100001	BOLT M6×20	TORNILLO M6 X 20
13	E04060006	BOLT M6×25	TORNILLO M6 X 25
14	E12060012	BOLT M6×28	TORNILLO M6 X 28
15	E09050003	BOLT M6×50	TORNILLO M6 X 50
16	E09050001	BOLT M6×40	TORNILLO M6 X40





E13 = 启动马达 / STARTING MOTOR / ARRANQUE DE MOTOR

ITEM	UM Part #	Description	Spanish
1	E13010001	STARTING MOTOR ASSY, BLACK	CONJ MOTOR DE ARRANQUE
2	E13020005	STARTER GEAR	CONJ ENGRANAJE DE ARRANQUE
3	E13020003	GEAR,CONNECTED,2	ENGRANAJE DUAL (2)
4	E13020002	GEAR,CONNECTED,1	ENGRANAJE DUAL (1)
5	E13030001	WASHER 10.5×0.5×18	ARANDELA 10M
6	E13010004	GEARSHAFT,CONNECTED	EJE DE ENGRANAJE DUAL (1)
7	E13020004	STARTER CLUTCH COMP.	EMBRAGUE DE ARRANQUE



E14 = 传动系统 / TRANSMISSION / TRANSMISION			
ITEM	UM Part #	Description	Spanish
1	E14020002	ASSEMBLY, KICK STARTING SHAFT	EJE DE ARRANQUE COMPLETO
2	E14020003	ASSEMBLY, COUNTERSHAFT	EJE CONDUCTOR COMPLETO
3	E14020004	ASSEMBLY, MAINSHAFT	EJE PRIMARIO COMPLETO
4	E14010001	DRIVE SPROCKET	PIÑÓN DELANTERO
5	E14040001	FIXING PLATE, DRIVE SPROCKET	PLACA FIJA
6	E04060042	BOLT M6×10	PERNO M6×10